

PhonoDude

Tube Phono Amp
Passive RIAA

Hard Wired Version
With 5575 / 5751

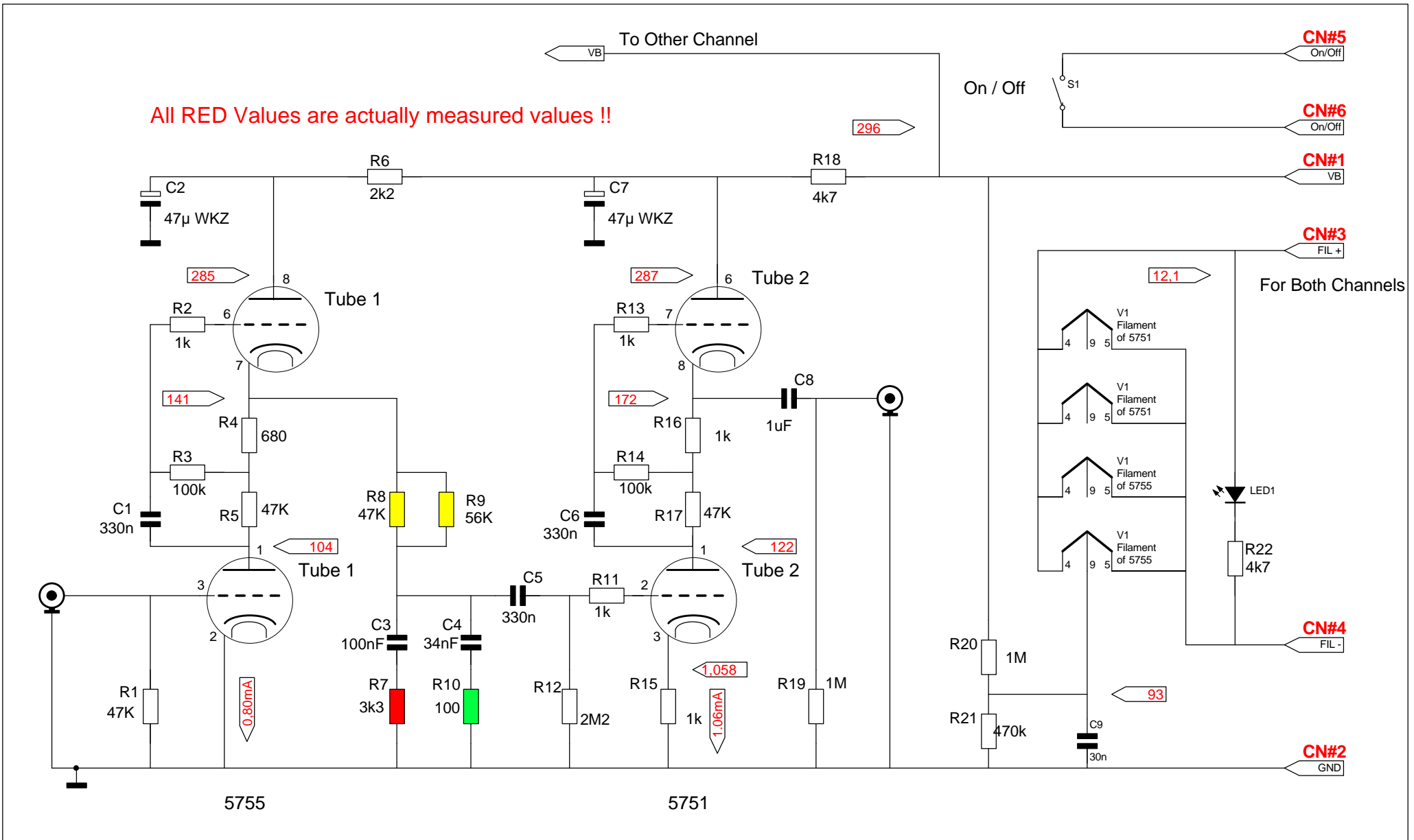
By Doede Douma / TriodeDick

Hard Wired Version 4.1

Updated February 14th, 2004

<http://www.dddac.de/>

<http://www.triodedick.com/>



All RED Values are actually measured values !!

Only One Channel Shown

All Signal Caps AuriCap

Adjustment of the RIAA curve (all with 10Hz=0dB):

Yellow: 10 KHz = -33,4 dB
 Green: 50 KHz = -44,5 dB
 Red: 1 KHz = -20,0 dB

PhonoDude Hard Wired

Update: 14-02-2004

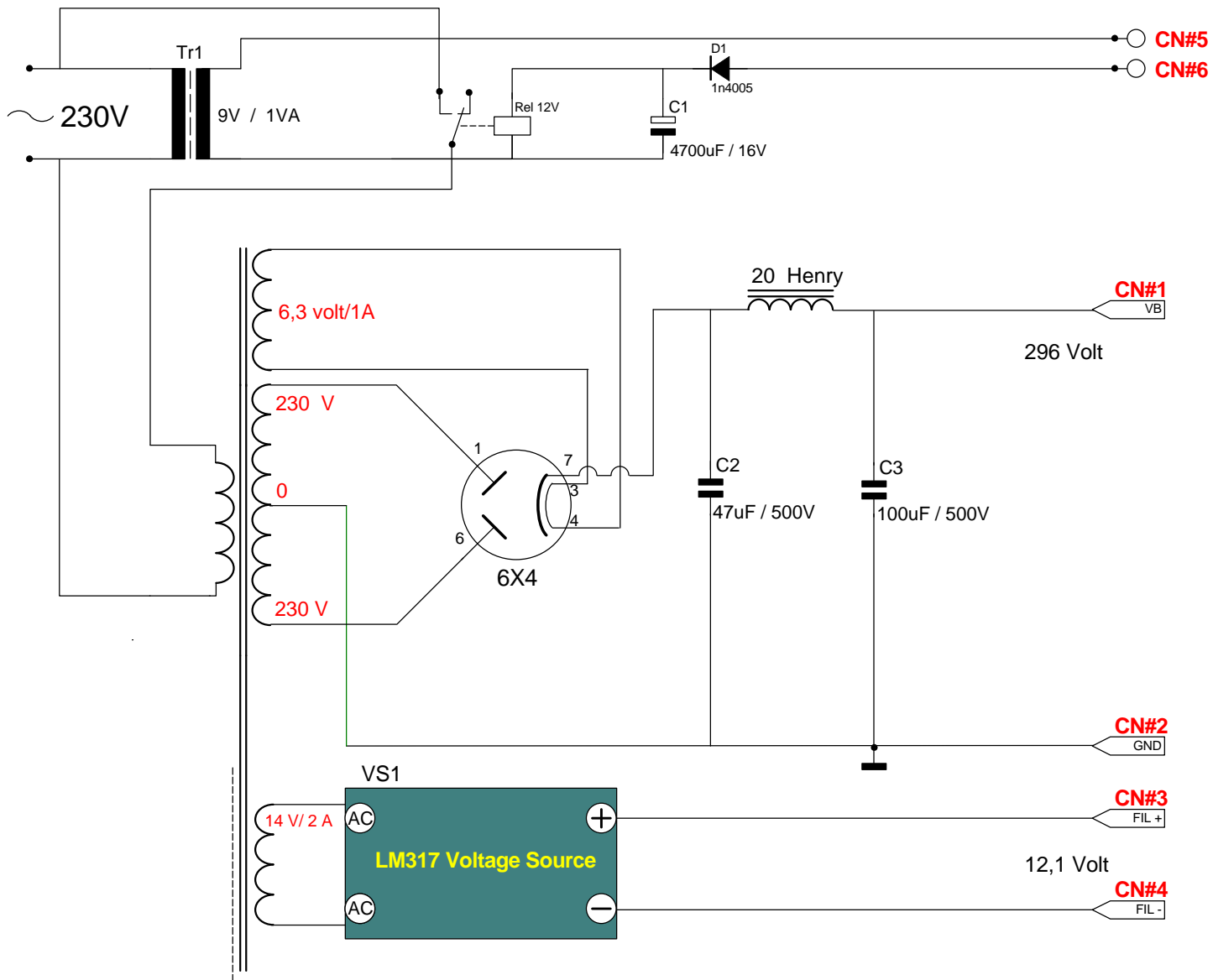
Author: Doede Douma

Revision: 4.1

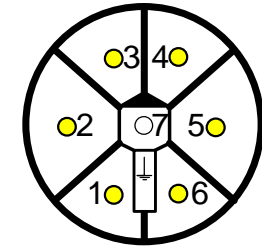
Built:
YES

Design ready:
YES

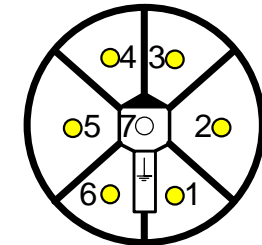
Page: 1 # 2



Chassis CN Sight



Cable CN Sight



PhonoDude Power Supply

Update: 14-02-2004

Author: Doede Douma

Revision: 4.1

Built:
YES

Design ready:
YES

Page: 2 # 2