

Golidav

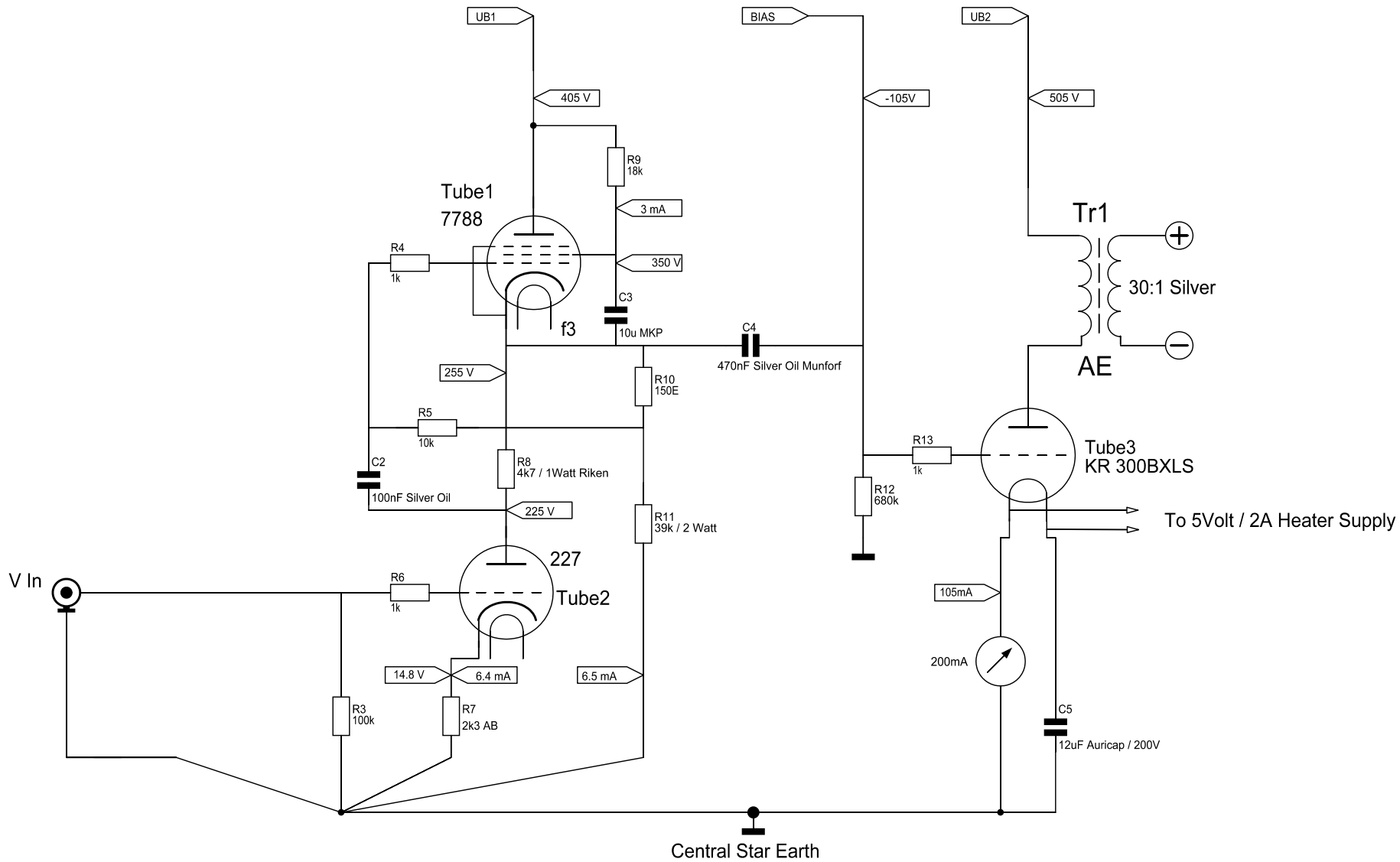
KR 300Bxls

Single Ended Tube Amplifier

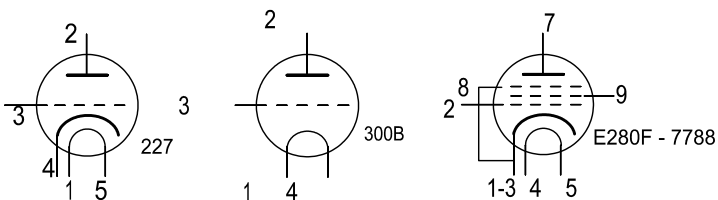
Version 3.0 (2005)

By Doede Douma
Updated January 4th 2005

<http://www.dddac.de/>



Right Channel identical to Left Channel. All parts x 2
 All Resistors Carbon types unless mentioned otherwise
 All Values (Voltage and Current) are real measured values



Golidav: Power Amp

Update: 04-01-2006

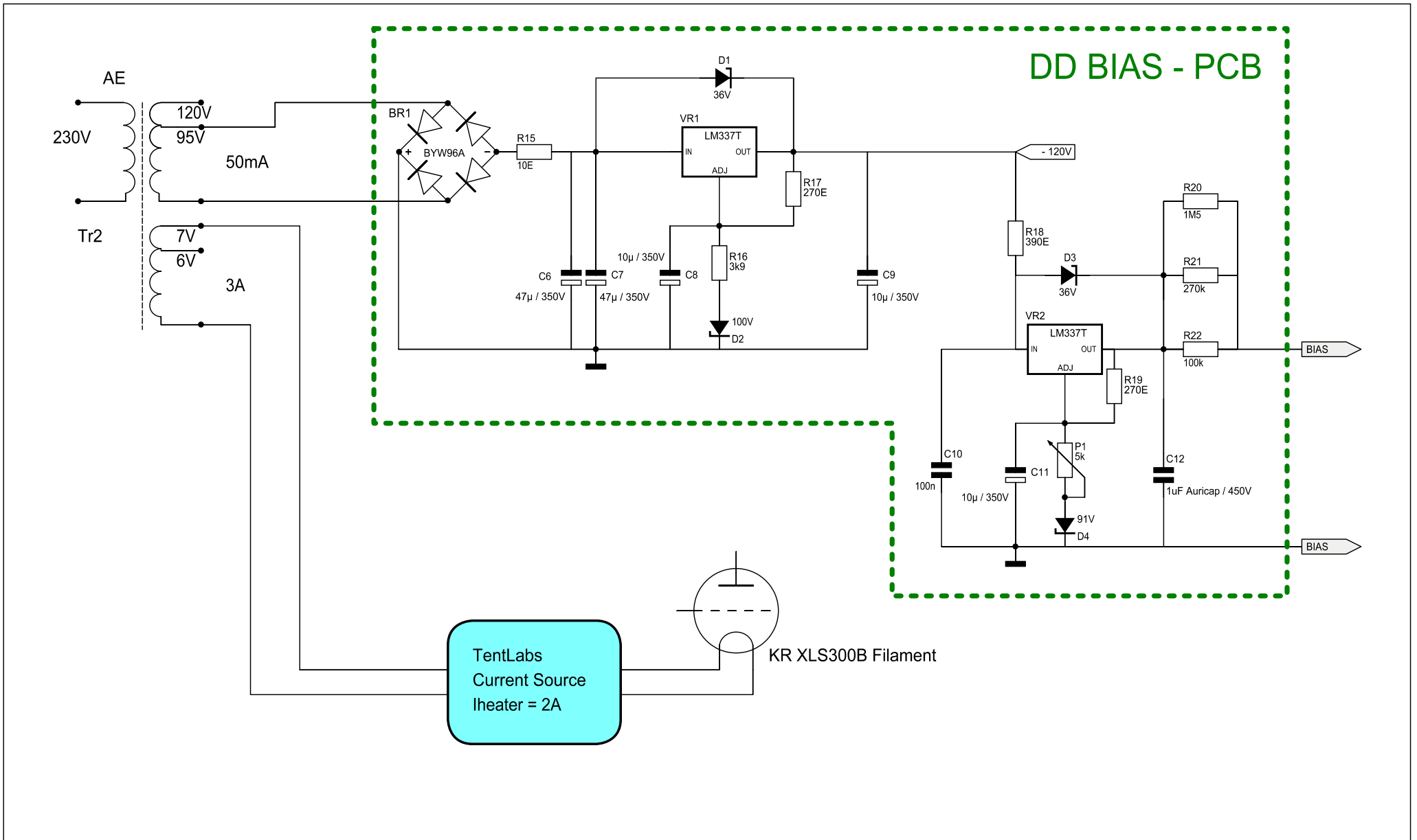
Author: Doede Douma

3.0

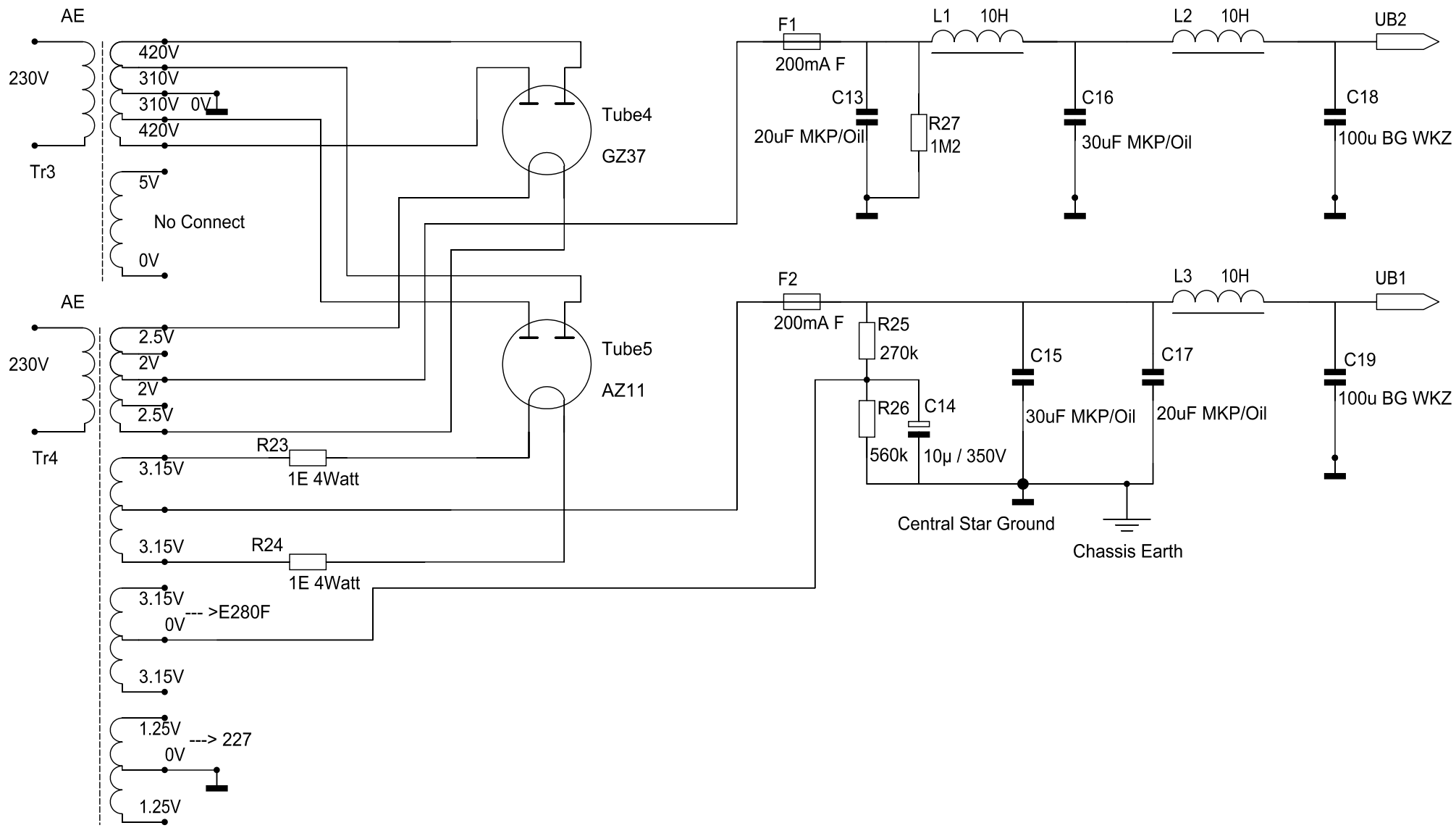
Built:
YES

Design ready:
YES

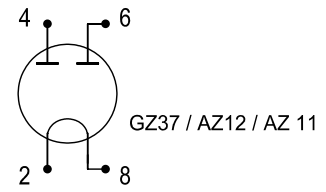
Page: 1 # 3



Golidav: Bias & Filament			
Update: 04-01-2006		Author: Doede Douma	
Rev: 3.0	Built: YES	Design ready: YES	Page: 2 # 3



Right Channel identical to Left Channel. All parts x 2
 Pin Lay Out AZ types AFTER changing Tubesocket



Golidav: Power Supply

Update: 04-01-2006		Author: Doede Douma	
Rev: 3.0	Built: YES	Design ready: YES	Page: 3 # 3