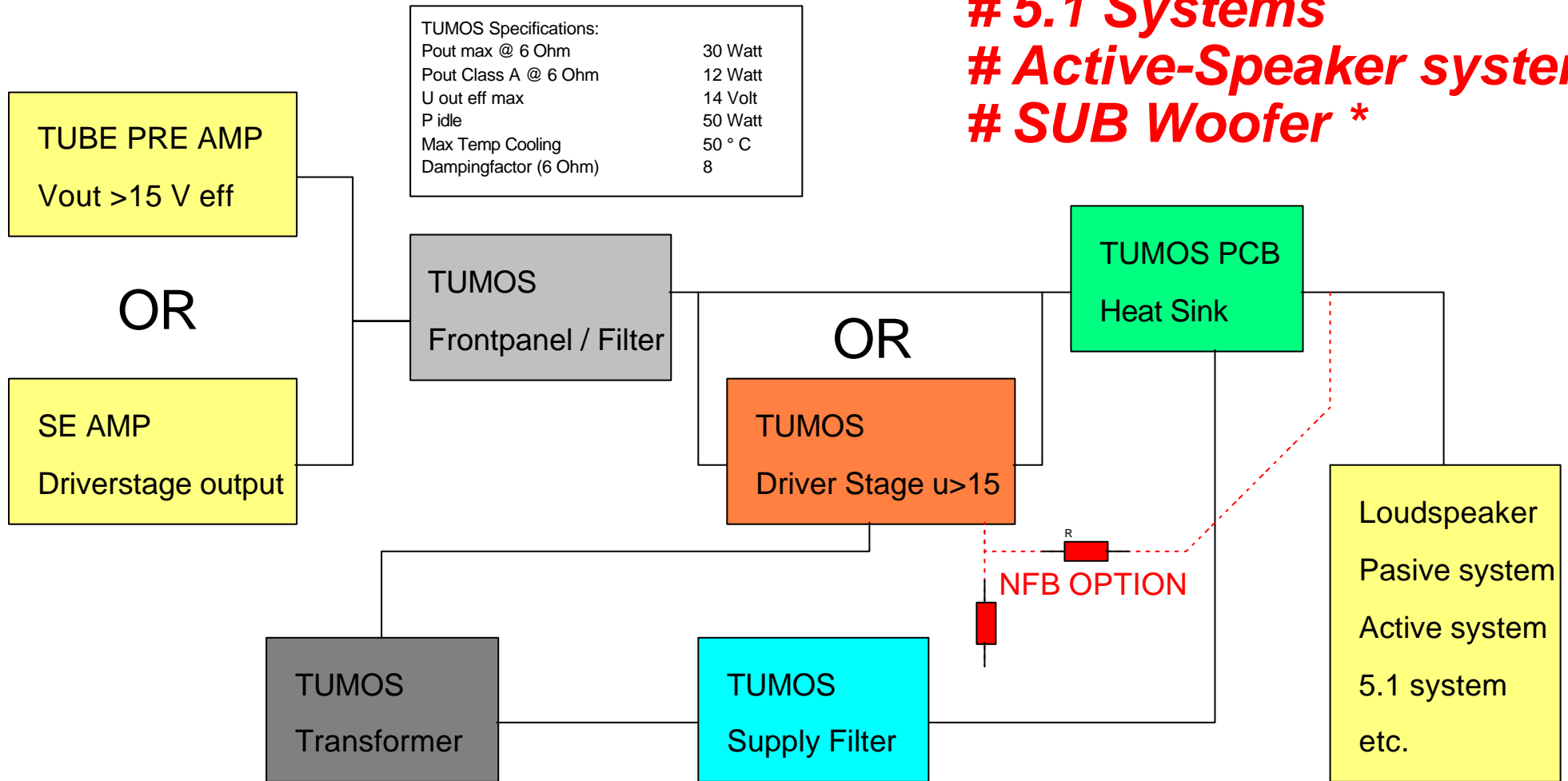


TUMOS Modulair setup:

- # MonoBlocks
- # Integrated AMPS
- # 5.1 Systems
- # Active-Speaker systems
- # SUB Woofer *



TUMOS Specifications:

Pout max @ 6 Ohm	30 Watt
Pout Class A @ 6 Ohm	12 Watt
U out eff max	14 Volt
P idle	50 Watt
Max Temp Cooling	50 ° C
Dampingfactor (6 Ohm)	8

* SUB Woofer solutions need high gain driverstage and NFB

TUMOS, Block Diagram

Update: 25-12-2002

Author: Doede Douma

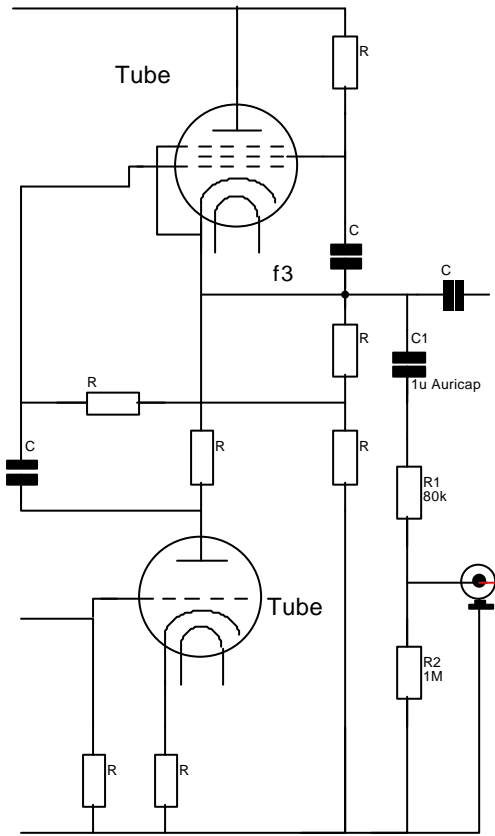
Revision: 3.1

Built:
YES

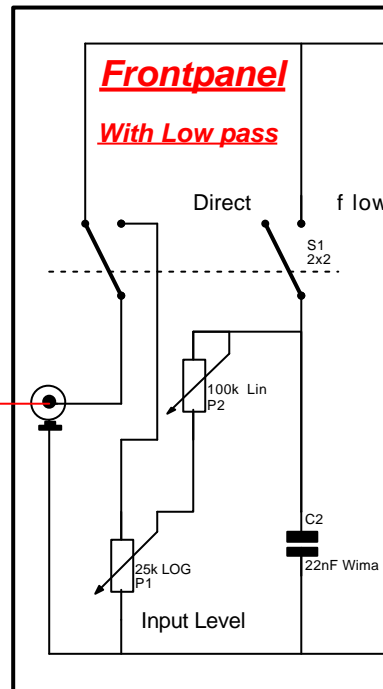
Design ready:
YES

Page: 1 # 6

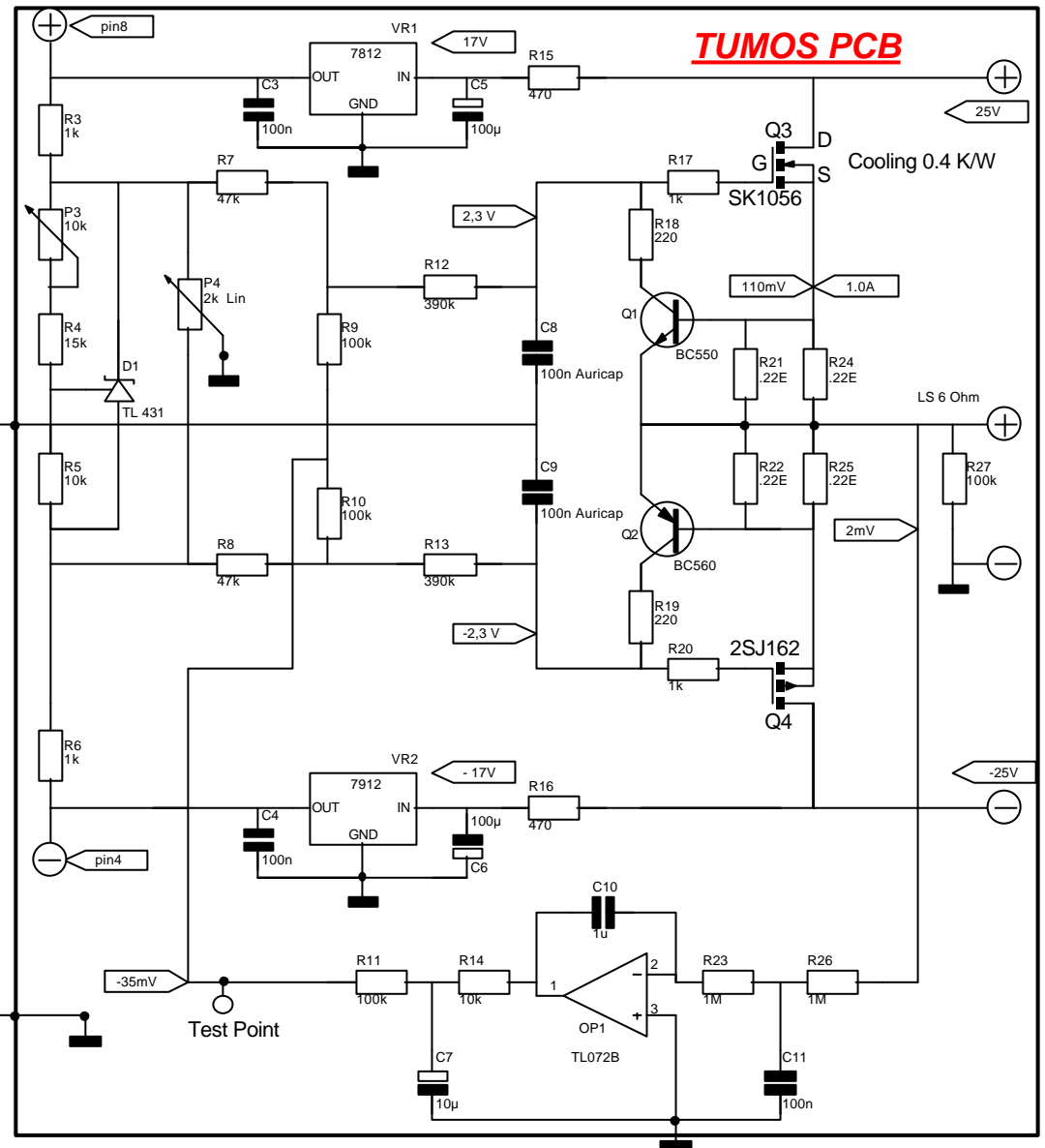
External SE Amplifier or Pre-Amplifier



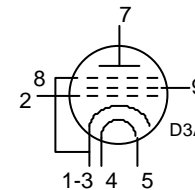
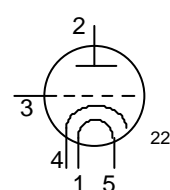
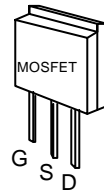
Frontpanel With Low pass



TUMOS PCB



With P1 adjust bias / With P2 adjust close to zero Volt at test point
 All Resistors Carbon types unless mentioned otherwise
 All Values (Voltage and Current) are Measured values
 Cooling for one channel in total is better than 0.6 K/W



TUMOS, Amplifier

Update: 25-12-2002

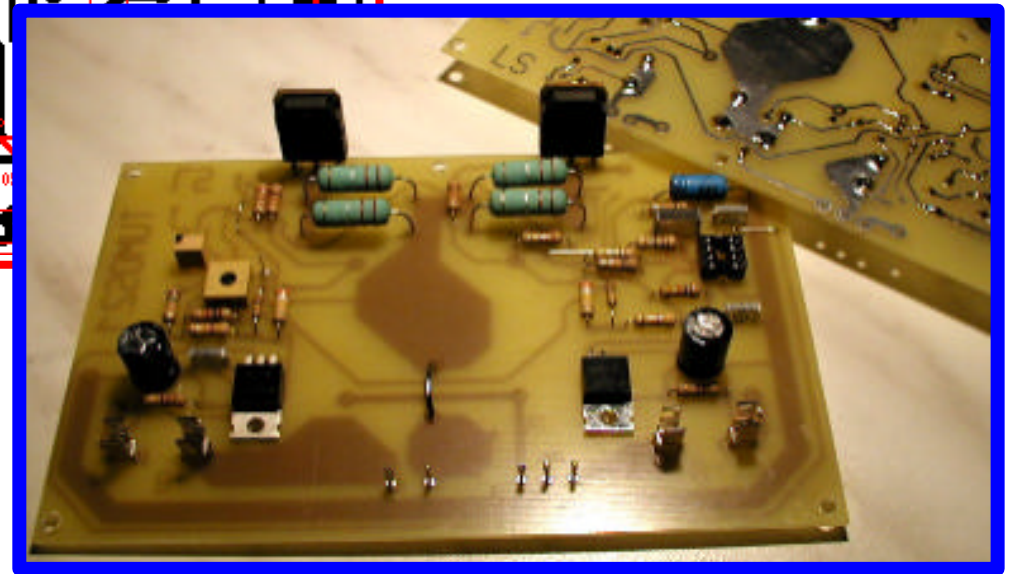
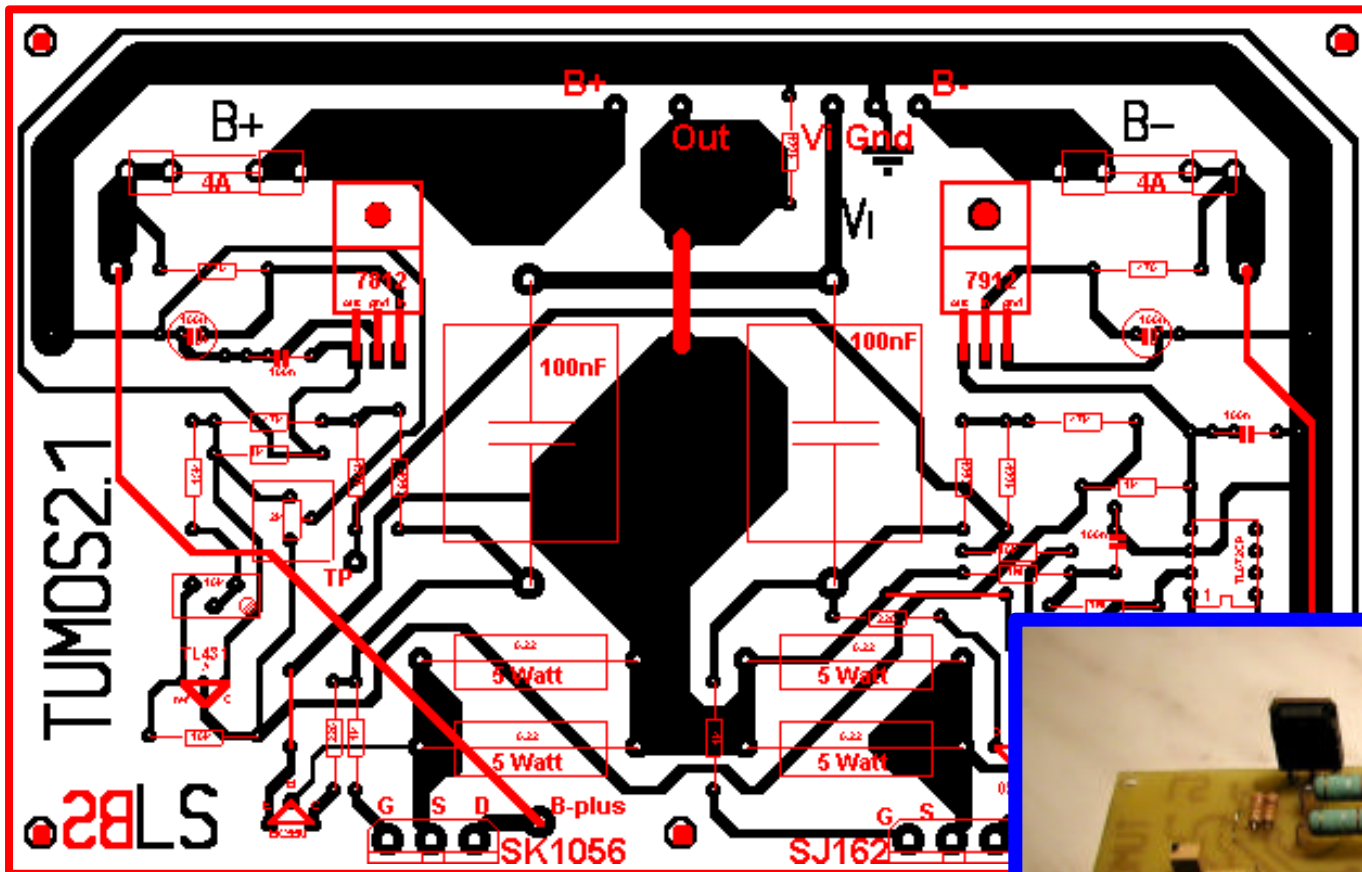
Author: Doede Douma

Revision: 3.1

Built:
YES

Design ready:
YES

Page: 2 # 6



TUMOS, Amplifier PCB

Update: 25-12-2002

Author: Doede Douma

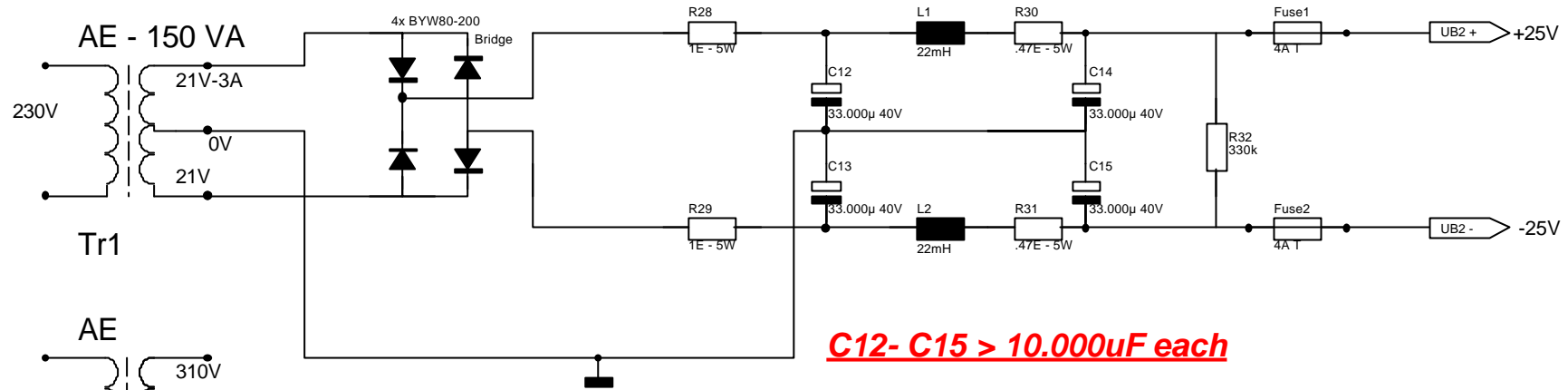
Revision: 3.1

Built:
YES

Design ready:
YES

Page: 3 # 6

L1 and L2 are optional



C12- C15 > 10.000uF each

Power Supply Options:

Optional Windings for Tube driver stage

Tube Rectifier or BYW 96

MU Stage with Ba or R loaded 6SN7 at

Right Channel identical to Left Channel. All parts x 2

TUMOS, Power Supply

Update: 25-12-2002

Author: Doede Douma

Revision: 3.1

Built:
YES

Design ready:
YES

Page: 4 # 6