

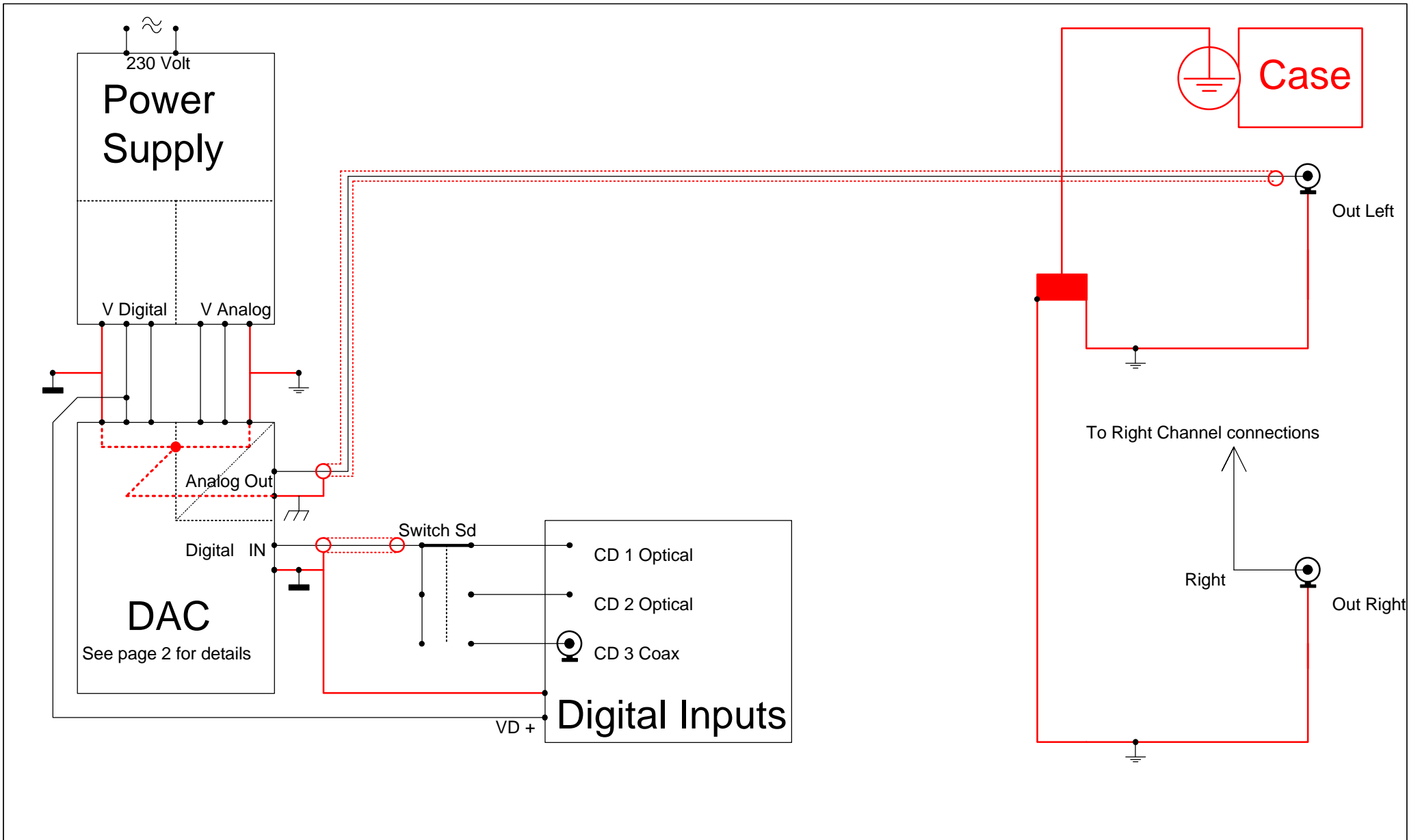
# DDDAC 2000



## Digital to Analog Converter

By Doede Douma

**Version 3.1** Updated November 21, 2001

[www.dddac.de](http://www.dddac.de)

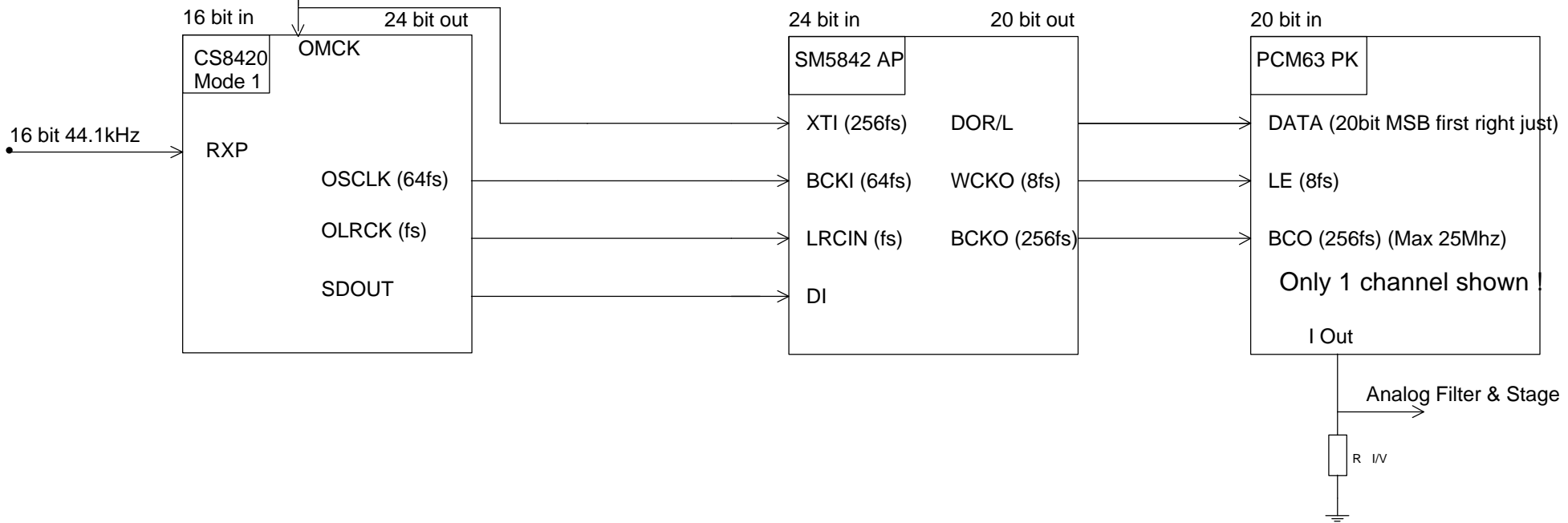


	Analog Ground DAC
	Digital Ground DAC

<b>DDDAC 2001, Block Diagram</b>	
Update: 05-05-2001	Author: Doede Douma
Revision: 3.0	Page: 1 # 6

XClock Oscillator  
 256 x fs  
 fs = 44.1 - 50 kHz

fs	8 fs freq	64 fs freq	256 fs freq
44.1 kHz	352,8Hz	2.8224 MHz	11.2896 MHz
50.78125 kHz	406.25 kHz	3.2500 MHz	13.0000 MHz



At Clockspeeds of 256fs clocked data is 32 bit wide

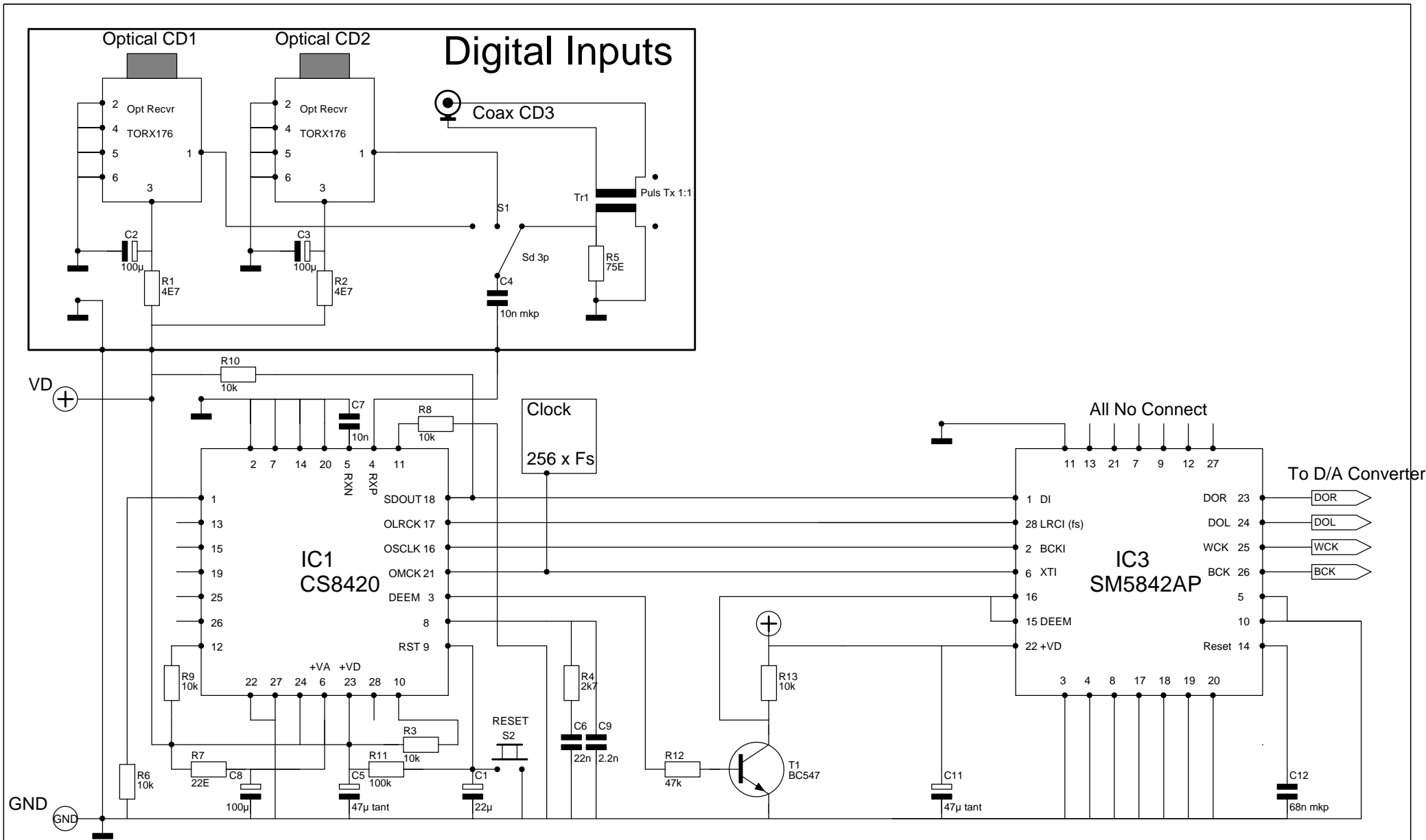
## DDDAC 2001, DAC Basics

Update: 05-05-2001

Author: Doede Douma

Revision: 3.0

Page: 2 # 6



S2: RESET

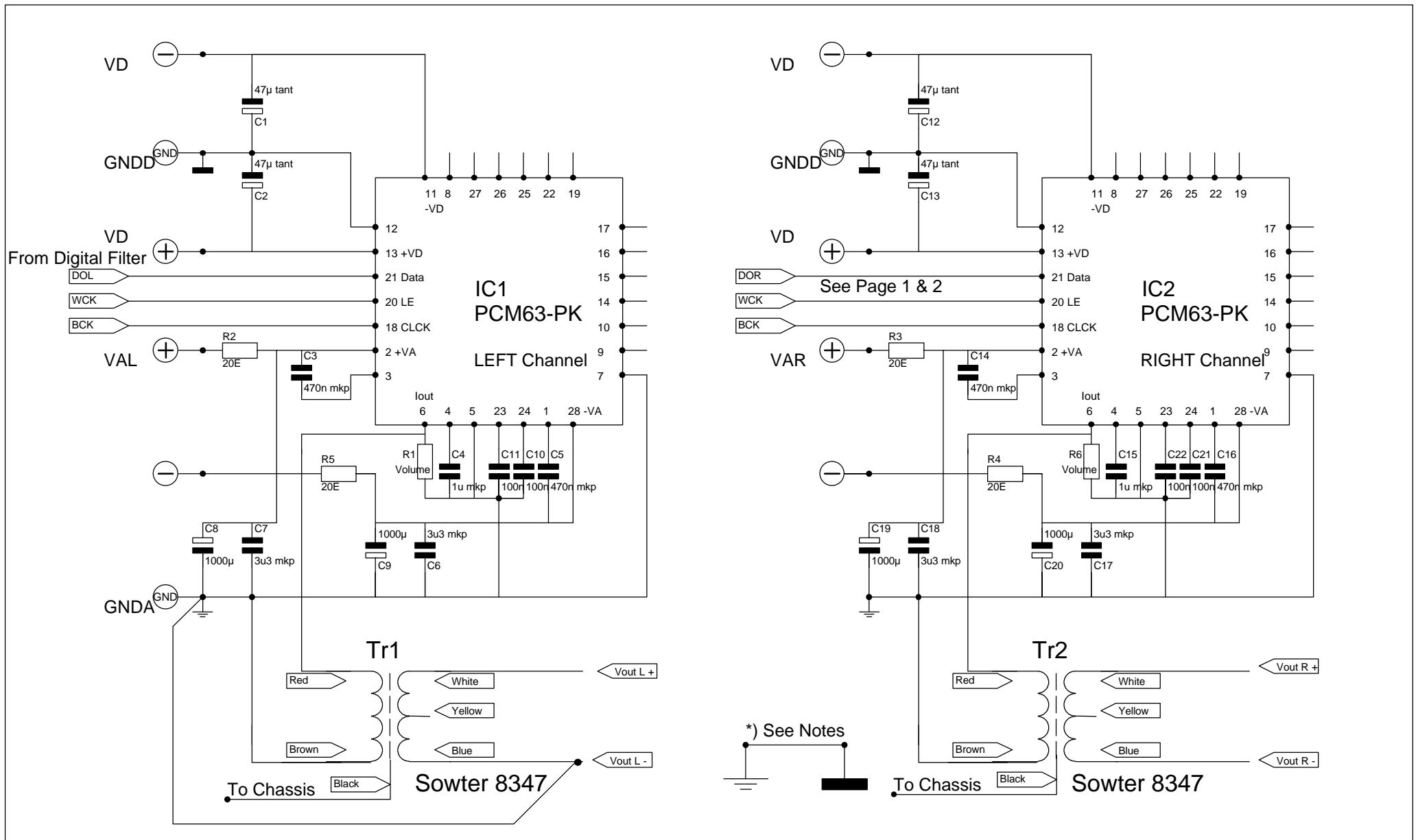
## DDDAC 2001, Digital Filter


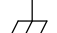
Update: 21-11-2001

Author: Doede Douma

Revision: 3.1

Page: 3 # 6



 Digital Ground
 

 Analog Ground

\*) Connect both grounds at one point close to PCM63P

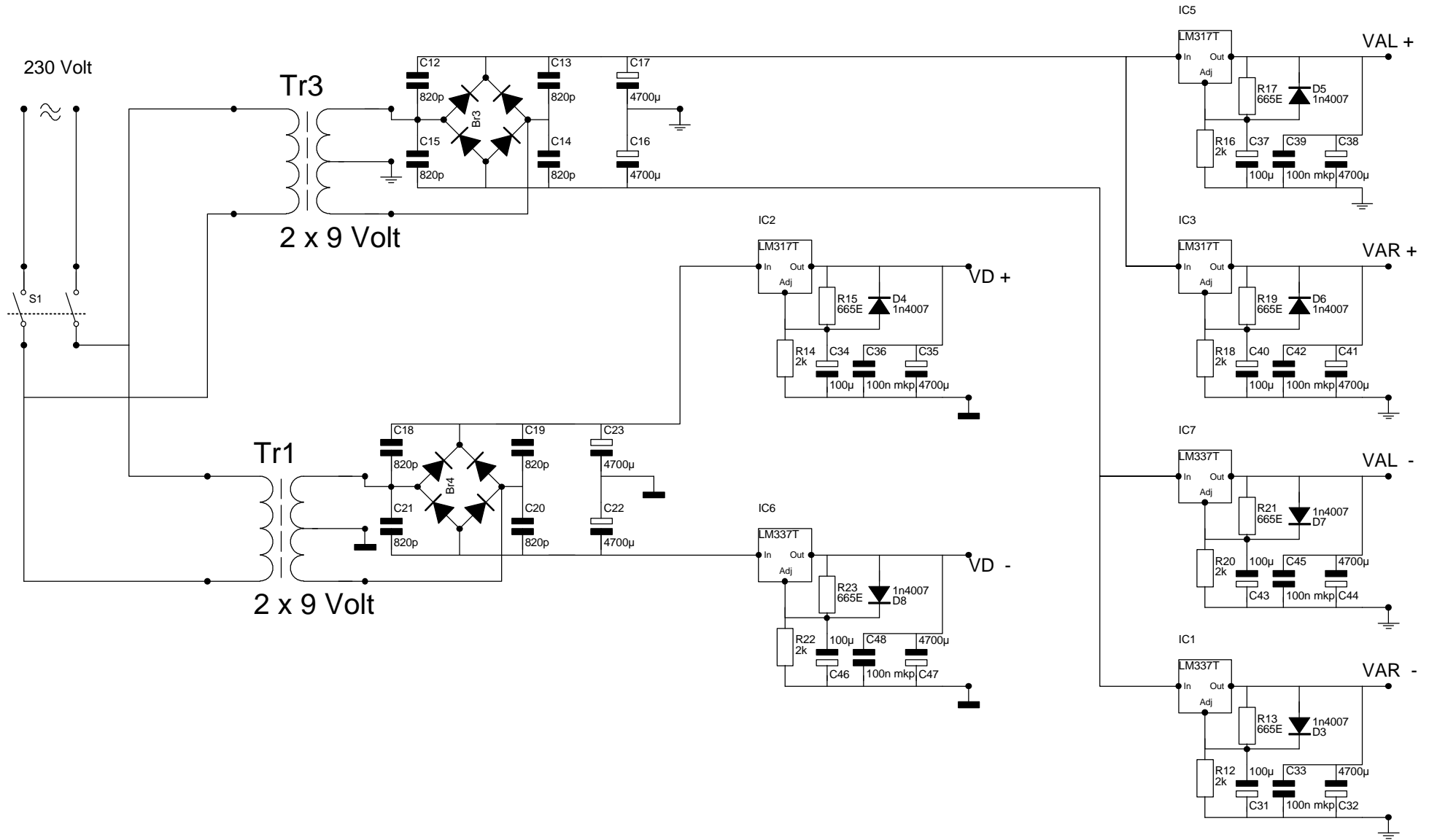
## DDDAC 2001, DAC Stage

Update: 05-05-2001

Author: Doede Douma

Revision: 3.0

Page: 4 # 6

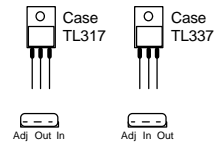


Digital Ground DAC

VD/VA: 5,0 Volt



Analog Ground DAC



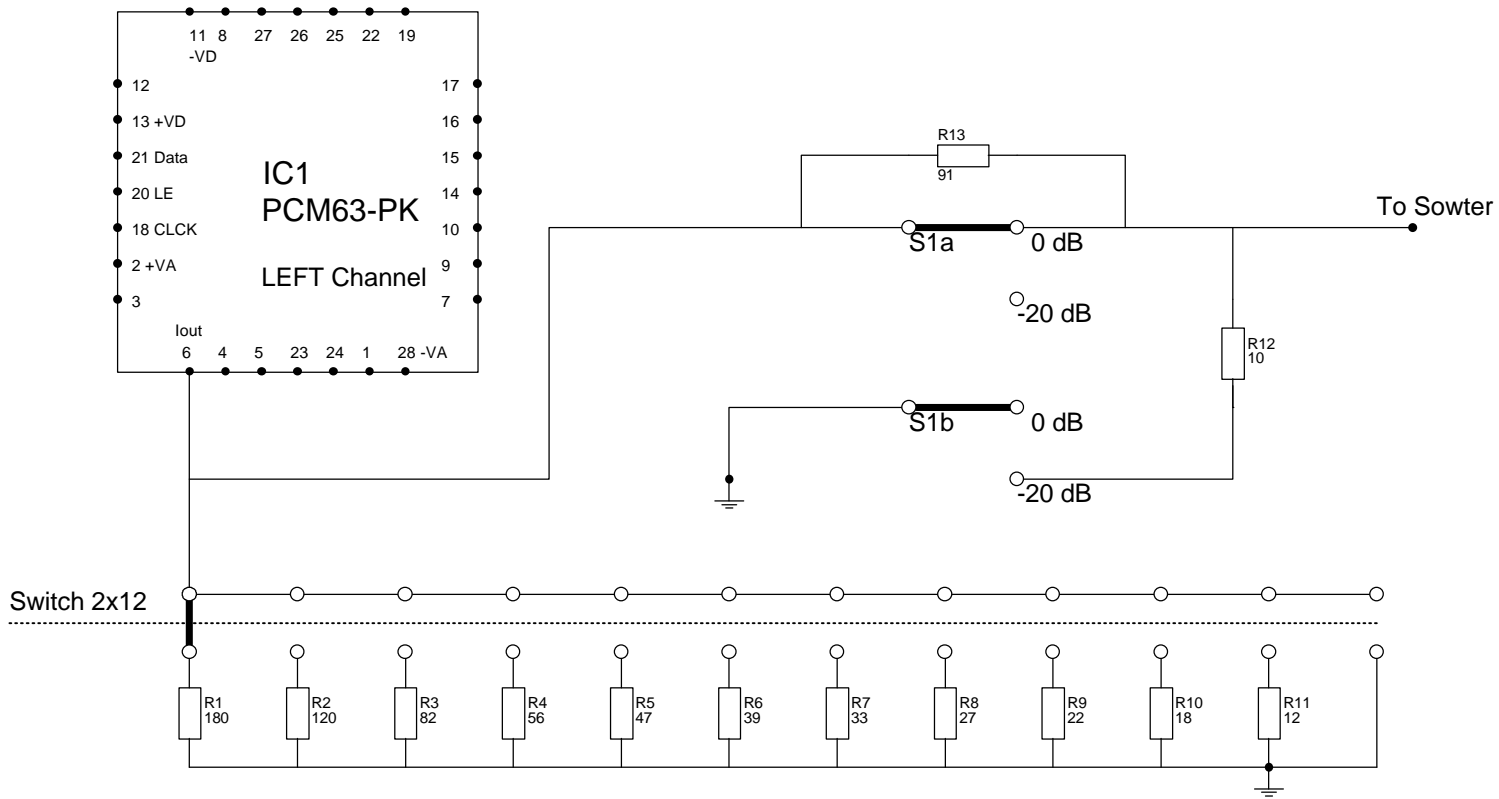
## DDDAC 2001, Power Supply

Update: 05-05-2001

Author: Doede Douma

Revision: 3.0

Page: 5 # 6



## DDDAC 2001, Volume Control

Update: 05-05-2001

Author: Doede Douma

Revision: 3.0

Page: 6 # 6