

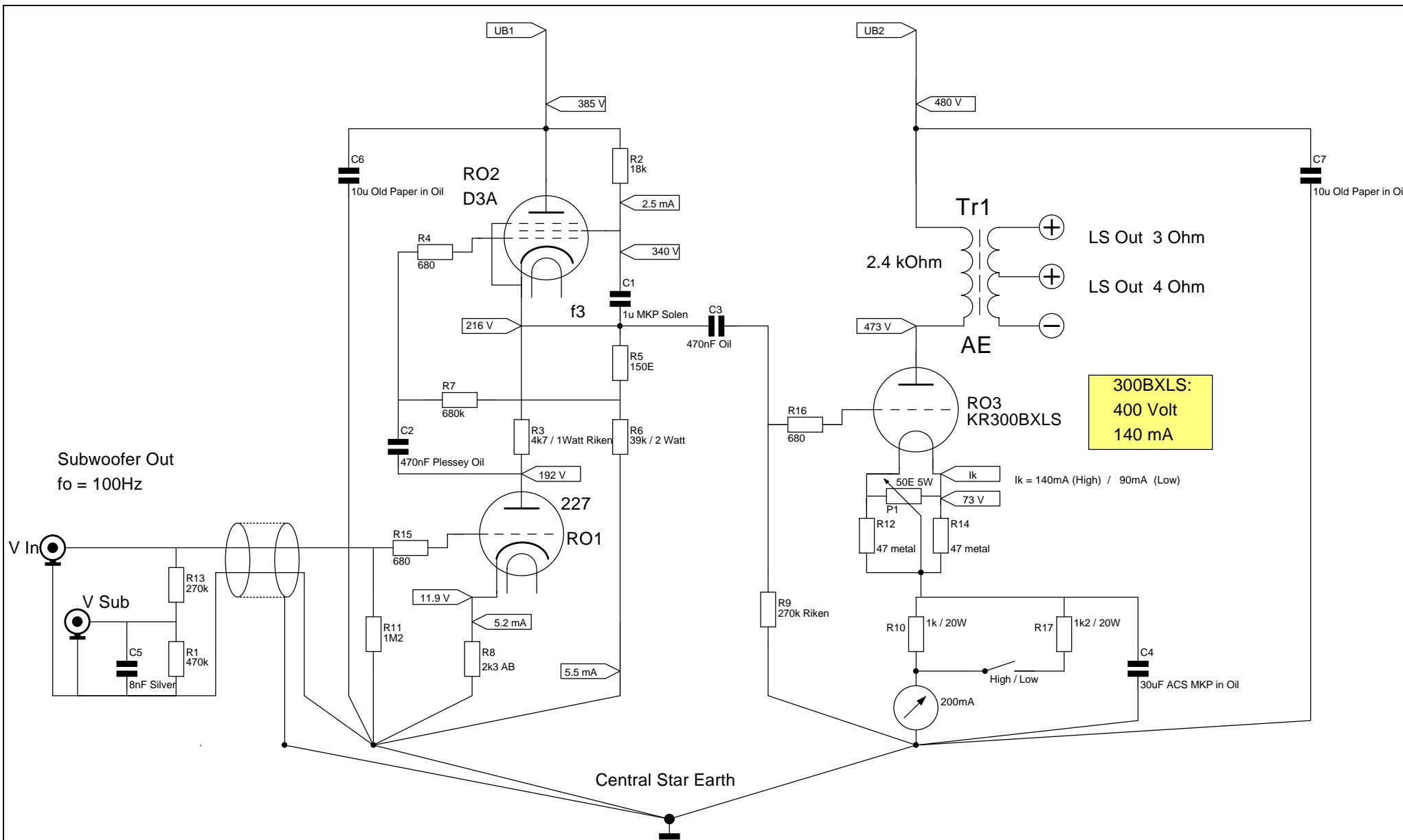
DD KR-300Bxls

Single Ended Main Tube AMP With KR 300Bxls

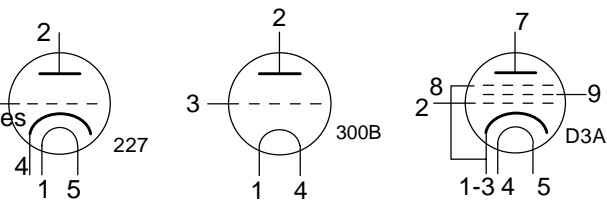
www.dddac.de

By Doede Douma

Revision 1.3 Update: September 5th 2001

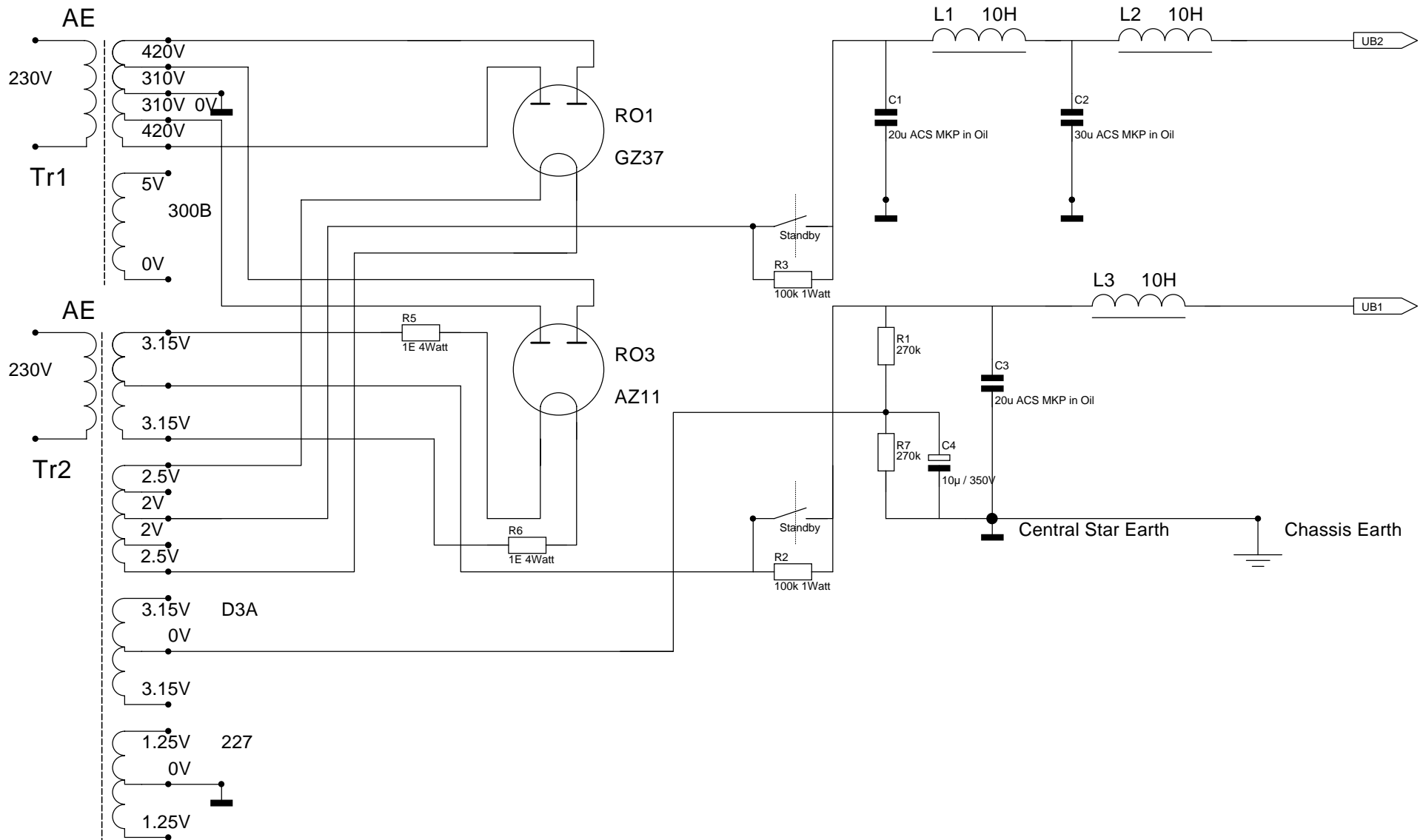


Right Channel identical to Left Channel. All parts x 2
 All Resistors Carbon types unless mentioned otherwise
 All Values (Voltage and Current) are real measured values

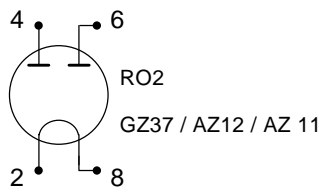


DD KR-300BXLs, Tube Amp

Update: 05-09-2001	Author: Doede Douma
Revision: 1.3	Page: 1 # 4



Right Channel identical to Left Channel. All parts x 2
Pin Lay Out AZ types AFTER changing Tubesocket



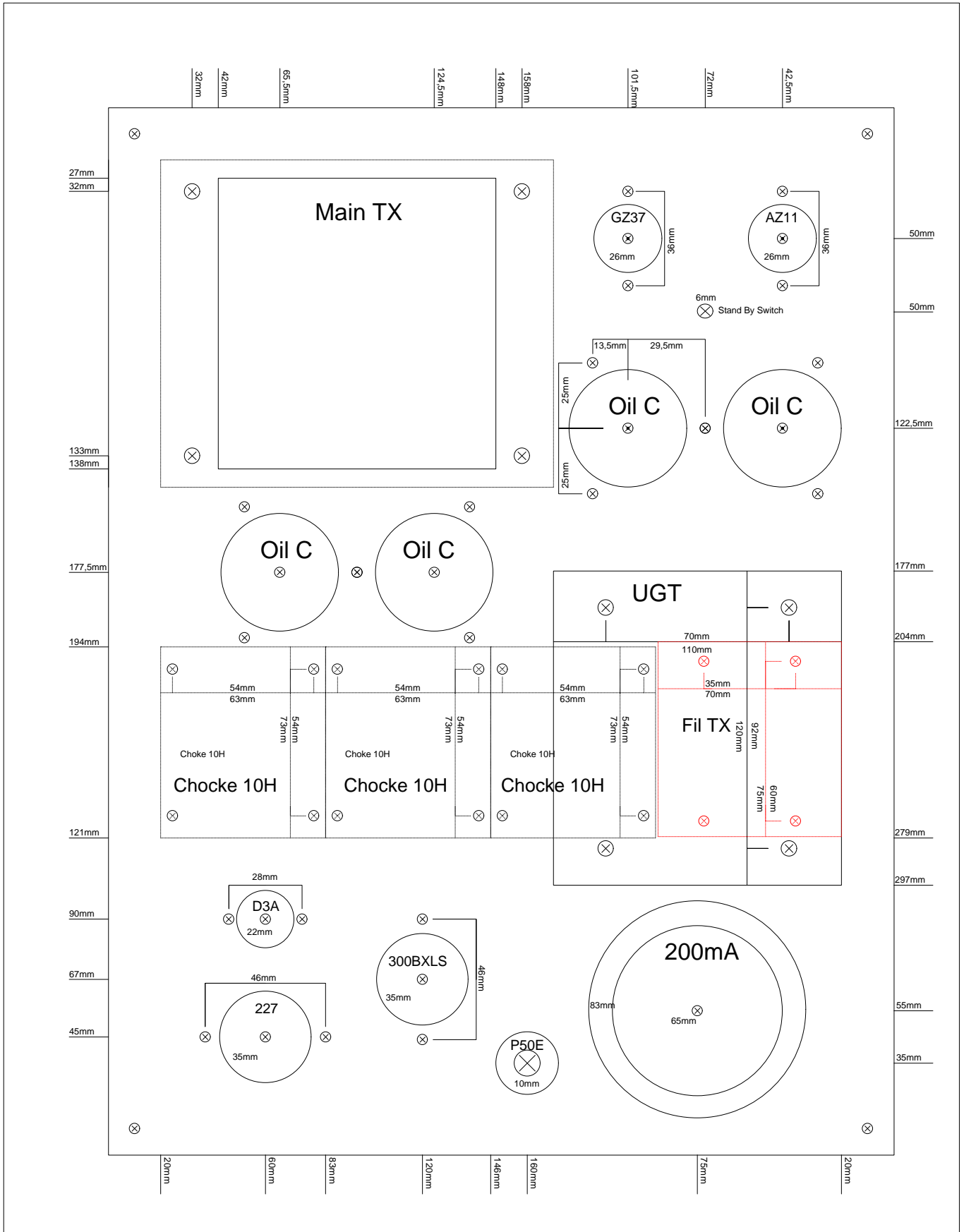
DD KR-300B XLS, Power

Update: 05-09-2001

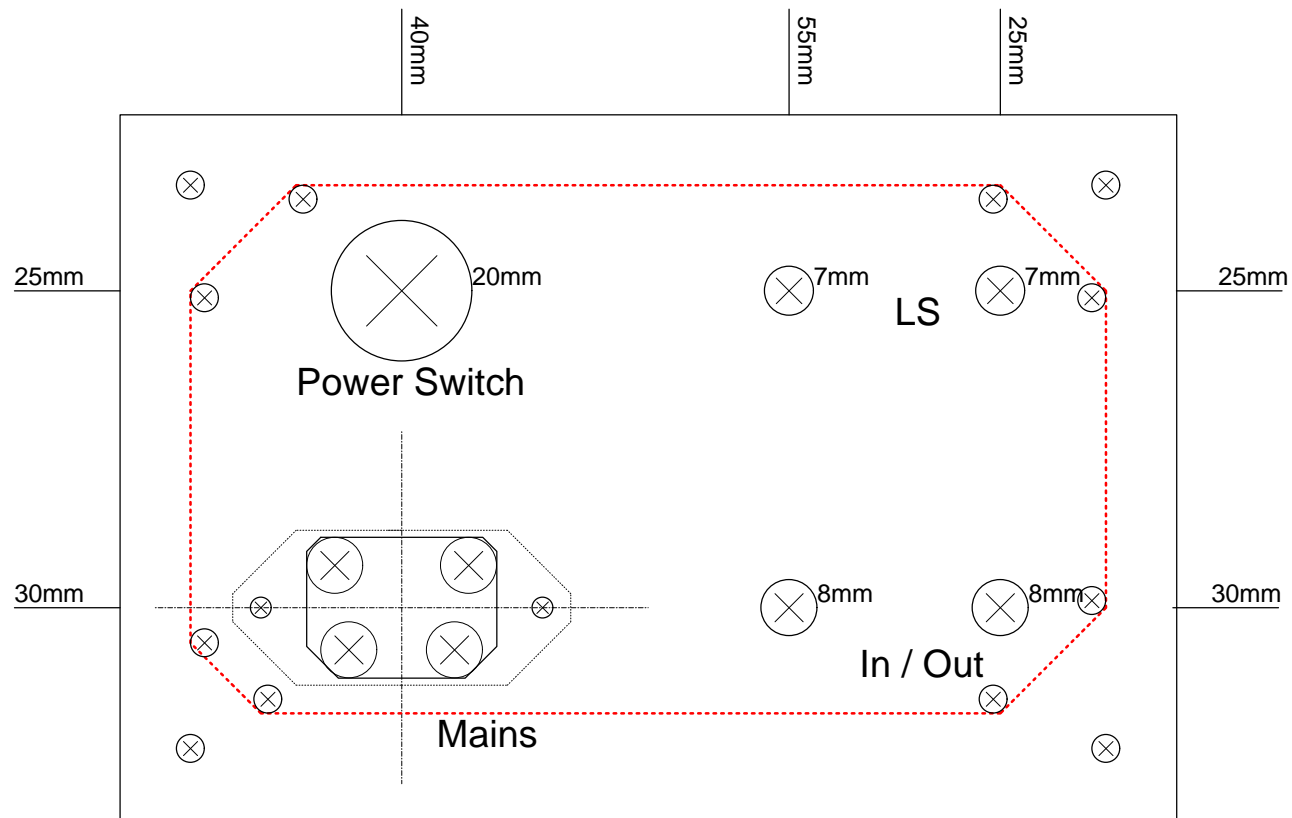
Author: Doede Douma

Revision: 1.3

Page: 2 # 4



DD KR-300BXLs, Case	
Update: 20-06-200	Author: Doede Douma
Revision: 1.1	Page: 3 # 4



DD KR-300BXLs, Back Plane

Update: 02-07-2001

Author: Doede Douma

Revision: 1.1

Page: 4 # 4