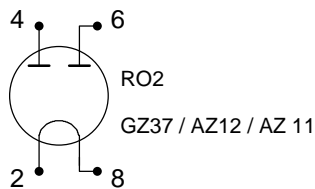
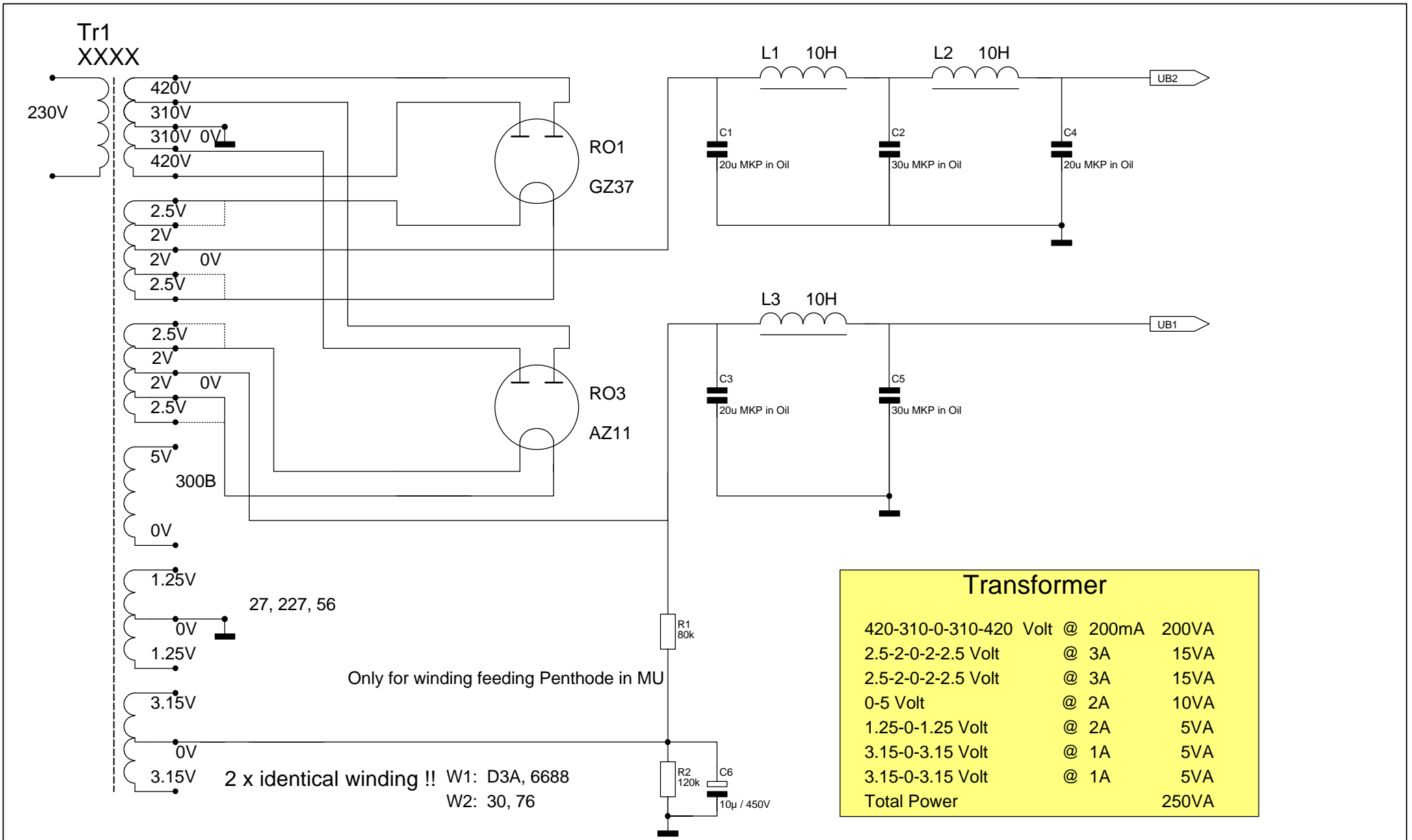


# DD KR-300BXLs

## Single Ended Main Tube AMP With KR 300BXLs

By Doede Douma  
Version 1.0      Update: April 28th 2001



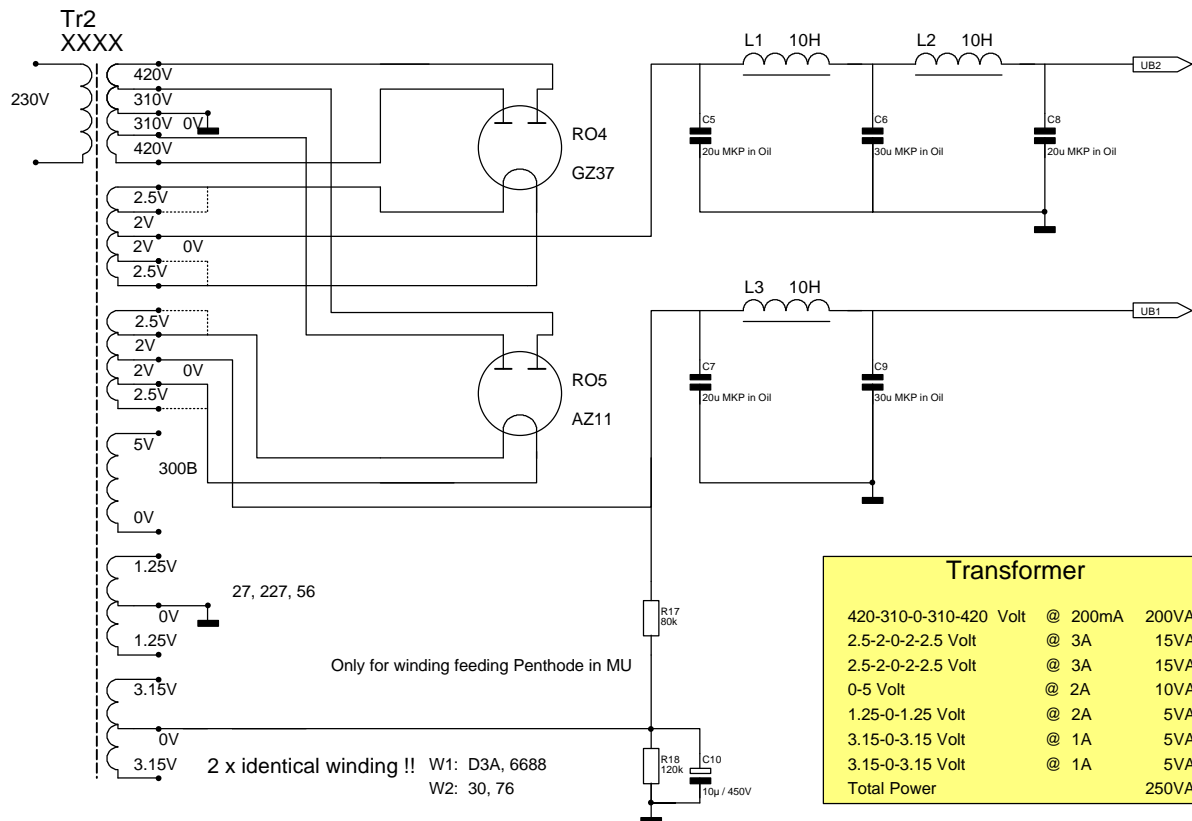
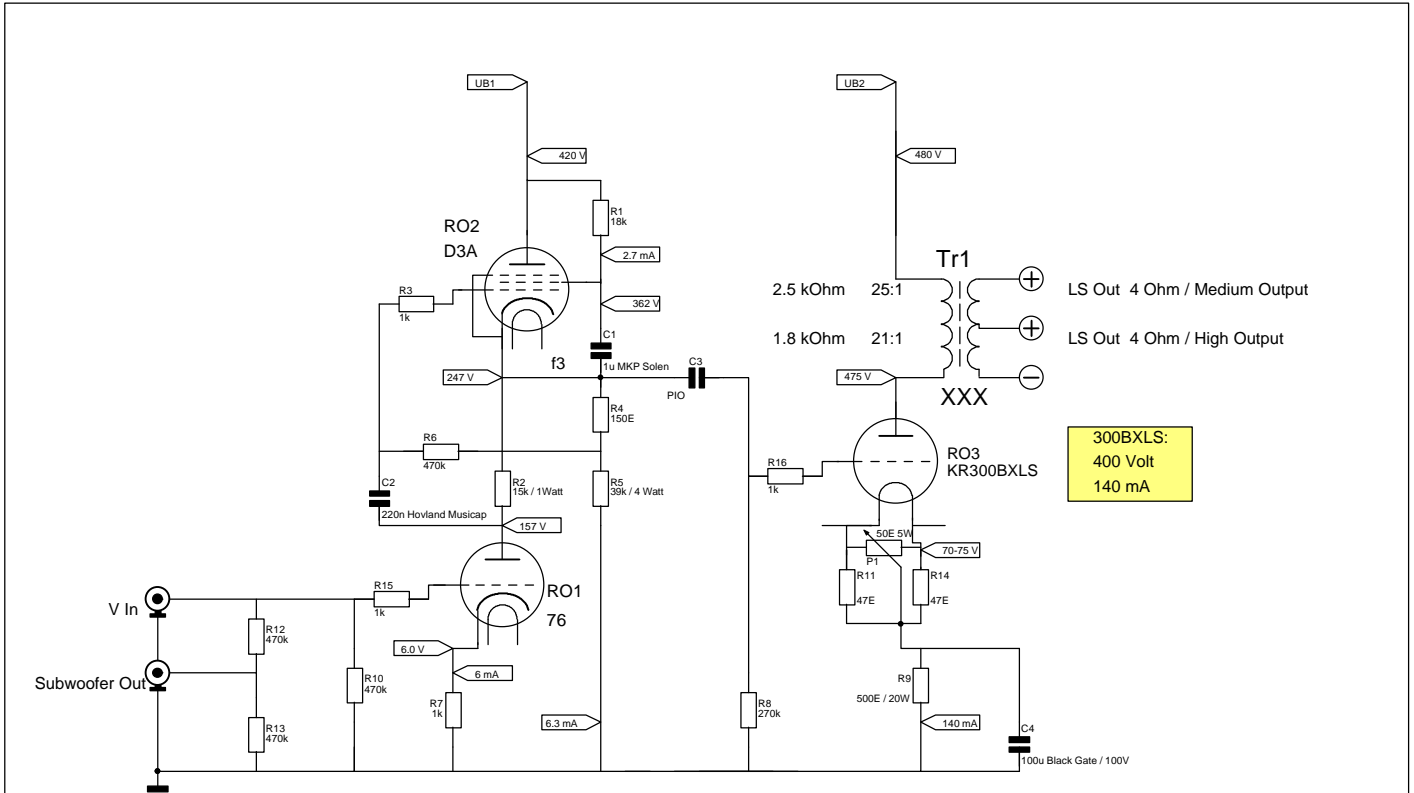


## DD KR-300BXLs, Power

Update: 27-04-2001 Author: Doede Douma

Revision: 1.0

Page: 2 # 2



## DD KR-300BXLs

Update: 28-04-2001 Author: Doede Douma

Revision: 1.0 Page: 3

# Stückliste

Vom: 29-Apr-01 um 15:51:48 Uhr

Datei: c:\programs\splan40\schemas\dd kr-300bxls ver 1.0.sr

Blatt: "Total (Page 3)"

R1	= 1 x 18k
R2	= 1 x 15k / 1Watt
R3,R7,R15,R16	= 4 x 1k
R4	= 1 x 150E
R5	= 1 x 39k / 4 Watt
R6,R10,R12,R13	= 4 x 470k
R8	= 1 x 270k
R9	= 1 x 500E / 20W
R11,R14	= 2 x 47E
R17	= 1 x 80k
R18	= 1 x 120k
C1	= 1 x 1u MKP Solen
C2	= 1 x 220n Hovland Musicap
C3	= 1 x PIO
C4	= 1 x 100u Black Gate / 100V
C5,C7,C8	= 3 x 20u MKP in Oil
C6,C9	= 2 x 30u MKP in Oil
C10	= 1 x 10 $\mu$ / 450V
RO1	= 1 x 76
RO2	= 1 x D3 $\beta$
RO3	= 1 x KR300BXL
RO4	= 1 x GZ3 $\beta$
RO5	= 1 x AZ11
L1,L2,L3	= 3 x 10H
Tr1	= 1 x XX
Tr2	= 1 x XXX
P1	= 1 x 50E 5V